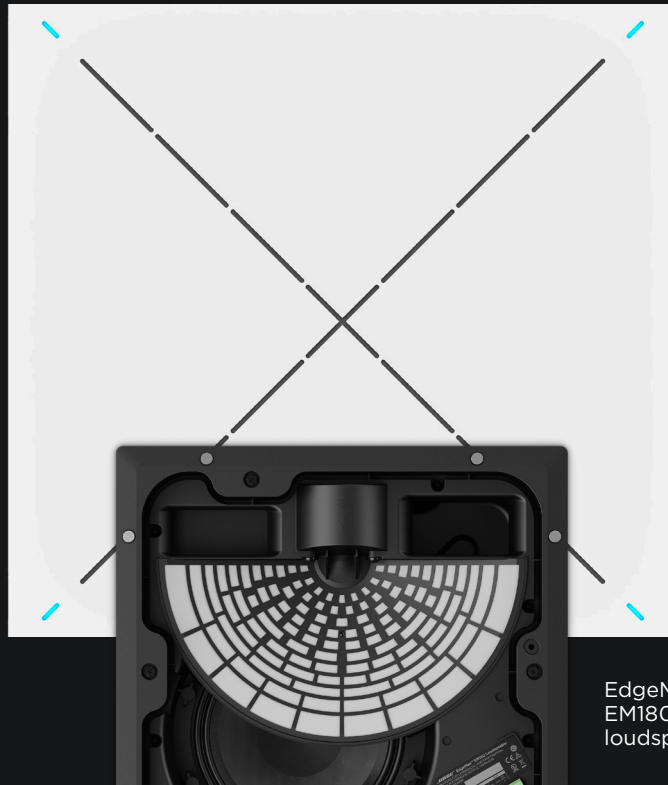


BOSE



 **SENNHEISER**

TeamConnect
Ceiling 2 microphone*

EdgeMax
EM180
loudspeaker



PowerSpace
P2600A
amplifier

ControlSpace
EX-440C
processor

BOSE ES1 CEILING AUDIO SOLUTION

Clear the table for better collaboration.

The Bose ES1 Ceiling Audio Solution is a complete conferencing system for fully integrated meeting rooms. It combines the premium performance of the Bose EdgeMax in-ceiling loudspeaker and Sennheiser TeamConnect Ceiling 2 microphone — along with a Bose amplifier and DSP — to deliver a seamless meeting experience that empowers productivity.

Certified for

Microsoft
Teams

 **Dante**[®]



Work better, together.

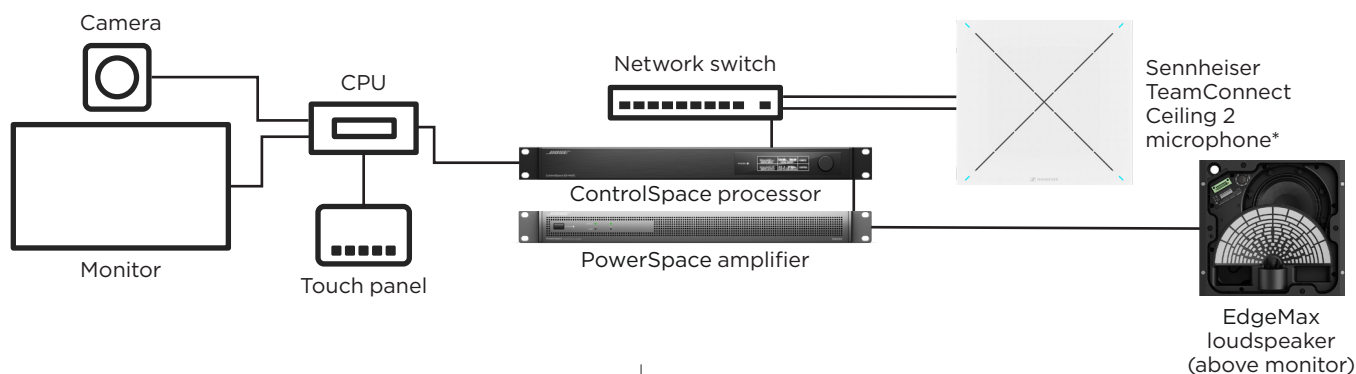
Beyond being fully integrated into the meeting room, the ES1 system stays completely out of the way. With fewer devices on walls and tabletops, meeting participants can stand, sit, or move around the room freely with the confidence that they'll hear and be heard.

Deliver a truly integrated premium conferencing solution, combining advanced Bose and Sennheiser technologies

Clean up the conferencing experience with fewer devices on walls or tabletops

Help remote participants feel more connected and engaged with intelligible audio and superior echo-cancelling technology

Deploy quickly with reference configurations that help reduce installation time and adaptive beamforming to ensure optimal coverage



LEARN MORE AT
[PRO.BOSE.COM/ES1](https://pro.bose.com/es1)

Questions? Contact us:
 Visit: [PRO.BOSE.COM/CONTACT](https://pro.bose.com/contact)
 Email: BOSEWORK@BOSE.COM